

Lock Types:

1) Mortise

2) Tubular



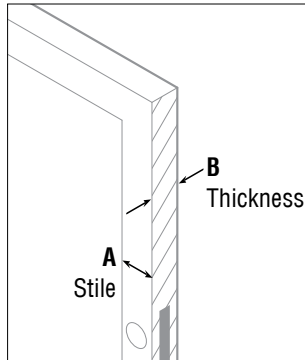
Door Types:

- > Wood, Fiberglass & Hollow Metal
- > Hollow Fiberglass & Metal doors do NOT allow for any mortise lock installation

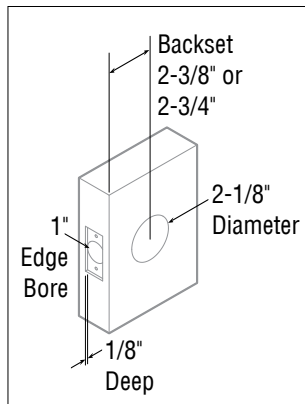
Door Prep:

- > 1) Pre-drilled for Mortise
- > 2) Pre-drilled for 2.125" bore hole Tubular
- > 3) Un-prepped (blank door) – ideal for tubular latch or mortise installations
 (Estate Passage – 0.625" hole for spindle; Estate Privacy – prep varies, see Installation Instructions)
- > Adaptors can retrofit most Estate Tubular hardware to 2.125" bored doors, but only large rosettes cover bore hole
- > Tubular locks CANNOT be used on Mortise-prepped doors
- > Mortise locks can rarely be used on 2.125" bore Tubular-prepped doors

DOOR THICKNESS & STILE



DOOR BACKSET



Door Thickness:

- > Industry Standards – 1.75" (Exteriors) & 1.375" (Interiors)
- > Doors $\geq 2 \frac{1}{2}$ " Thick limits hardware options – Contact Customer Service
- > Exterior Doors $< 1 \frac{3}{4}$ " Thick limits hardware options
- > Escutcheon thickness determines cylinder & spindle lengths needed (see Inside Back Cover)

Door Stile Width:

- > Narrow Stiles (4" or less) limit backset & escutcheon trim options
- > 3" or less Stile severely limits Mortise Lock, Function & Escutcheon options

Door Backset:

Measurement from edge of door (where it latches) to centerline of lock or doorknob

Door Handing:

- > Certain Lock Types require correct handing (Exterior Levers, Mortise Boxes, Half Dummy Levers)
- > HAND OF DOOR ALWAYS DETERMINED FROM OUTSIDE

A few rules to follow:

- > The outside of an exterior door is the street or entrance side
- > The outside of a room door is the hall side
- > The outside of a single communicating door is the side from which the hinges are not visible when the door is closed
- > The outside of a closet door is the room or hall side

Right Handed: hinges on RIGHT – door swings IN
 Left Handed: hinges on LEFT – door swings IN
 Right Hand Reverse Bevel: hinges on RIGHT – door swings OUT
 Left Hand Reverse Bevel: hinges on LEFT – door swings OUT

DOOR HANDING

